



FIRE PROTECTION RELIEF VALVE (ANGLE TYPE)

- ▶ Designed to maintain safe water supply pressure inside fire protection system to prevent the sudden increased pressure that would damage the system. The Fire Protection Pressure Relief Valve can relieve the exceeded pressure automatically.
- ▶ The valve features an adjustable pressure setting, fast opening to maintain the steady line pressure and close gradually as pressure decrease below the set point.



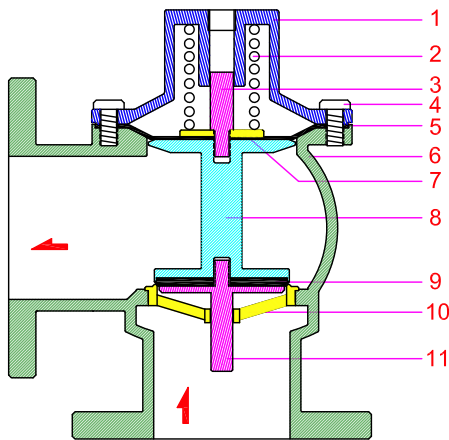
Pressure Adjusting Range : 1~6 kgf/cm²
(1 kgf/cm² = 14.2 psi) 4~10 kgf/cm²

Applied Temperature : -15~60 °C

Valve Body Testing Pressure : 24 kgf/cm²

Maximum Applied Pressure : 25 kgf/cm²

◎ Special order can be arranged for higher pressure adjustment range.



No	Part Name	Material
1	Valve Cover	Ductile Iron
2	Spring	Stainless Steel
3	Shaft	Bronze
4	Fixed Bolt	Stainless Steel
5	Diaphragm	CR Rubber
6	Main Body	Ductile Iron
7	Diaphragm Washer	Stainless Steel
8	Diaphragm Fixed Bar	Bronze
9	Sealing Spacer	NBR
10	Seat	Bronze
11	Center Shaft	Bronze
A	Ball Valve	Bronze
B	Relief Pilot Valve	Stainless Steel
C	Needle Valve	Stainless Steel

(Flange End)

Item No	Size	H(mm)	L(mm)	CV
BFL-F	4"	340	180	210

